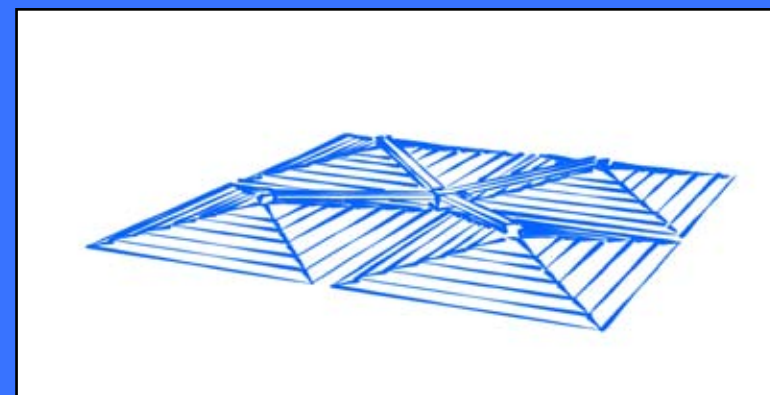


Price List  
2008/2009



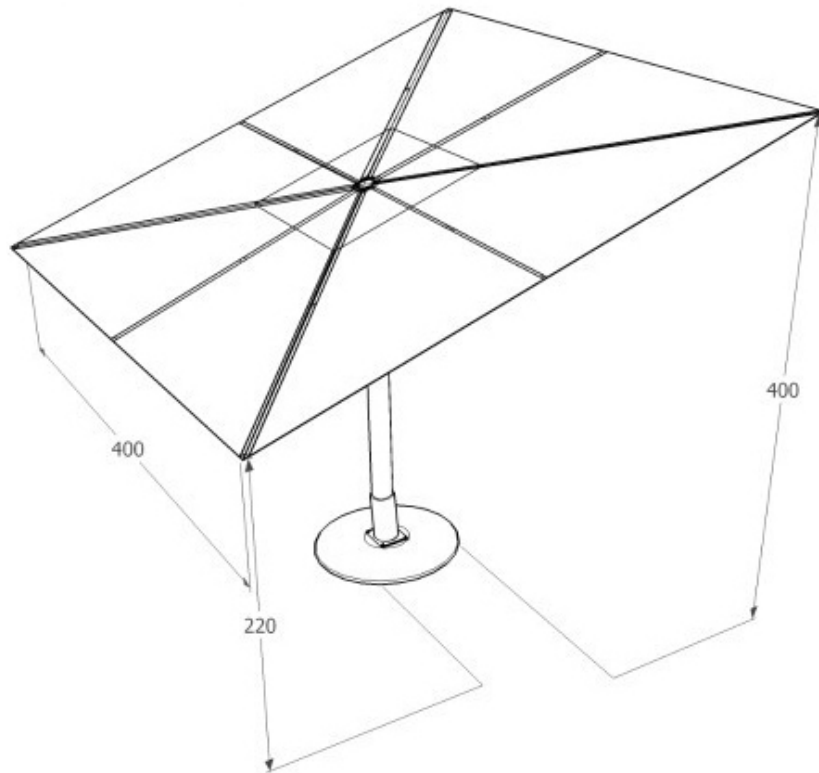
*Eden Garden srl*



# *Index*

MONOFALDA	cod.100	pag.	3
CIAK	cod.101	pag.	4
ARCO	cod.102	pag.	5
TALENTO	cod.103	pag.	6
TALENTO STEEL	cod.104	pag.	7
MISTER	cod.105	pag.	8
GEMELLI (Side pole/Central pole)	cod.106/107	pag.	9
COLLAGE	cod.108	pag.	10
BIG FRIEND	cod.109	pag.	11
KITE	cod.110	pag.	12
GEMELLI STEEL	cod.111	pag.	13
FIESOLE	cod.112	pag.	14
PLATFORM LUSO	cod. 201	pag.	15
CANOPIES - ACCESSORIES		pag.	16
GENERAL CONDITIONS OF SALES		pag.	17

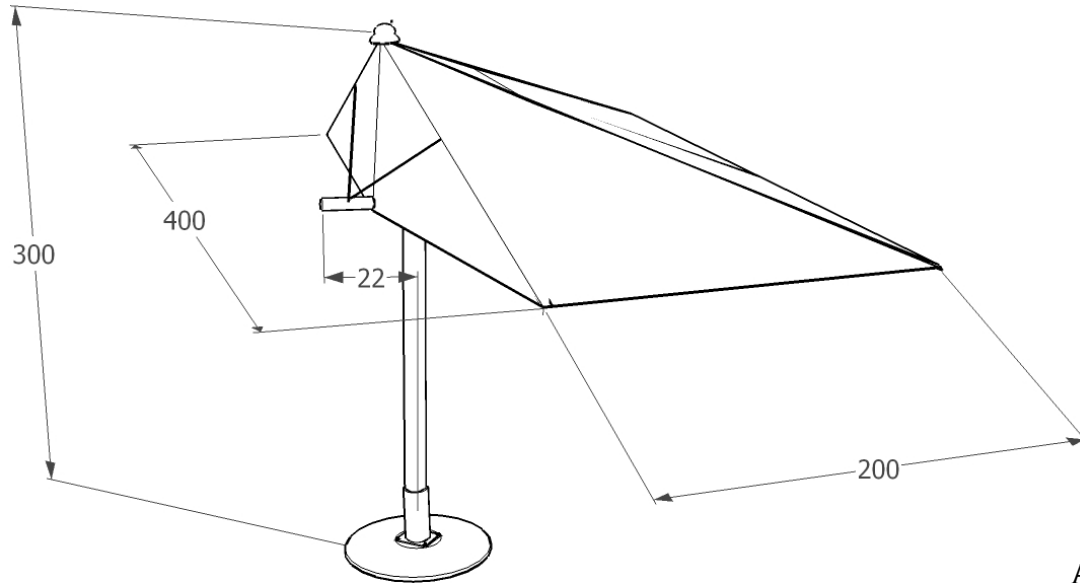
# Monofalda cod. 100



Size (cm.)	Base (kg.)	Price (Euro, no VAT)
<b>RECTANGULAR</b>		
200X300		1000,00
250x350		1200,00
300x400		1400,00
<b>SQUARE</b>	52	
300x300		1200,00
350x350		1400,00
400x400		1600,00

- Wooden centre post with 50 mm diameter.
- Structural grade aluminium frame with telescoping ribs, powder coated with an epoxy resin.
- Canopy made of 100% acrylic or thermo sealed PVC.
- Rounded cement base with river pebble accents or finely polished concrete.
- Added valance
- Storage cover.

# Piak cod. 101

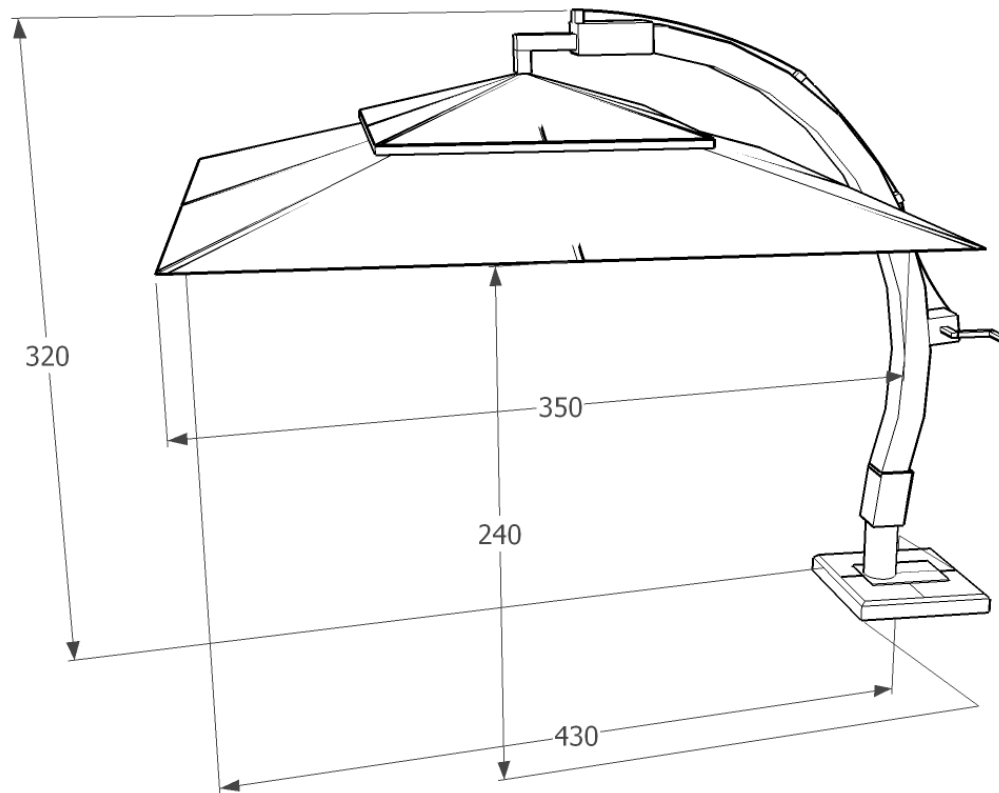


Price (Euro, no VAT)

Size (cm.)	Base (kg.)	Lifted Valve	Split Solution
<b>Wooden frame</b>			
100x250		1300,00	1625,00
125x250		1350,00	1687,00
150x300		1450,00	1812,00
125x350	52	1400,00	1750,00
175x250		1400,00	1750,00
150x400		1550,00	1937,00
200x300		1500,00	1875,00
225x350		1550,00	1937,00
175x450		1700,00	2125,00
175x350		1600,00	2000,00
150x325		1550,00	1937,00
200x400	160	1650,00	2062,00
250x400		1700,00	2125,00
<b>Alluminium frame</b>			
200x500		1800,00	2250,00
250x500		1900,00	2375,00
<b>Wooden frame</b>			
½ Ø300		1300,00	1625,00
½ Ø350	52	1350,00	1687,00
½ Ø400		1400,00	1750,00
½ Ø450	160	1450,00	1812,00
½ Ø500		1500,00	1875,00

- Wooden side post with 50 mm diameter.
- Canopy made of 100% acrylic or thermo sealed PVC.
- Hand crank for manual opening and closing.
- Choice of rounded cement base with river pebble accents, a finely polished concrete base, or a steel bracket that may be affixed to the ground.
- Storage cover.

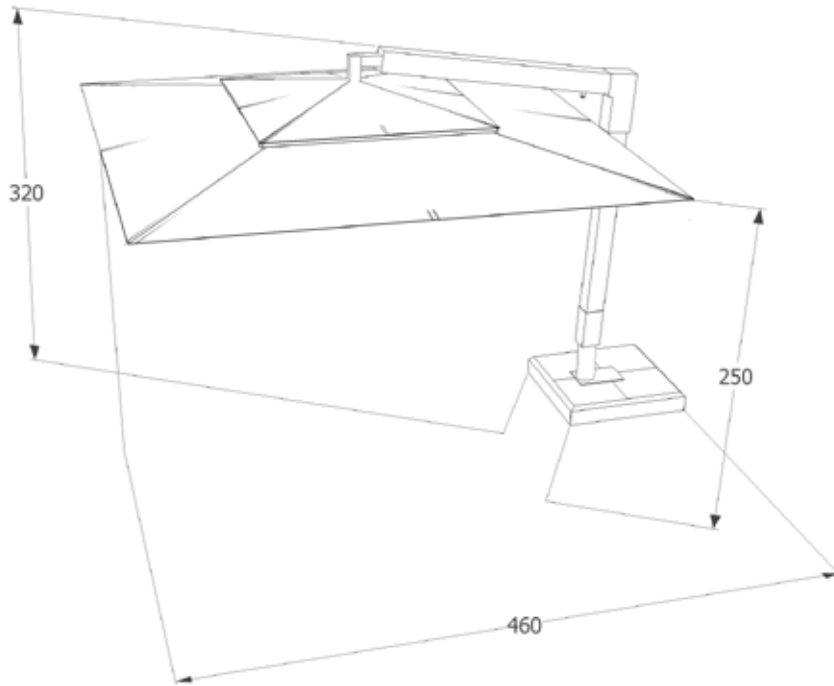
# Arco cod. 102



		Price (Euro, no VAT)	
Size (cm.)	Base (kg.)	Lifted Valve	Split Solution
<b>RECTANGULAR</b>			
200X300		1650,00	2062,00
250x350		1725,00	2156,00
300x400		1880,00	2350,00
<b>SQUARE</b>			
300x300	240	1740,00	2175,00
350x350		1980,00	2475,00
<b>ROUND</b>			
Ø300		1740,00	2175,00
Ø350		1900,00	2437,00
Ø400		1950,00	2375,00

- Pressure treated iroko wood side post mm 92x92
- Canopy made of 100% acrylic or thermo sealed PVC.
- All components are made of zinc plated steel, powder coated with an epoxy resin and a charcoal finish.
- Wooden frame with interchangeable ribs.
- Steel hub construction assembled with inox steel bolts.
- Windproof vent.
- Choice of rounded cement base with river pebble accents, a finely polished concrete base, or a steel bracket that may be affixed to the ground.
- Full valance - Storage cover - 360° rotation

# Talento cod. 103

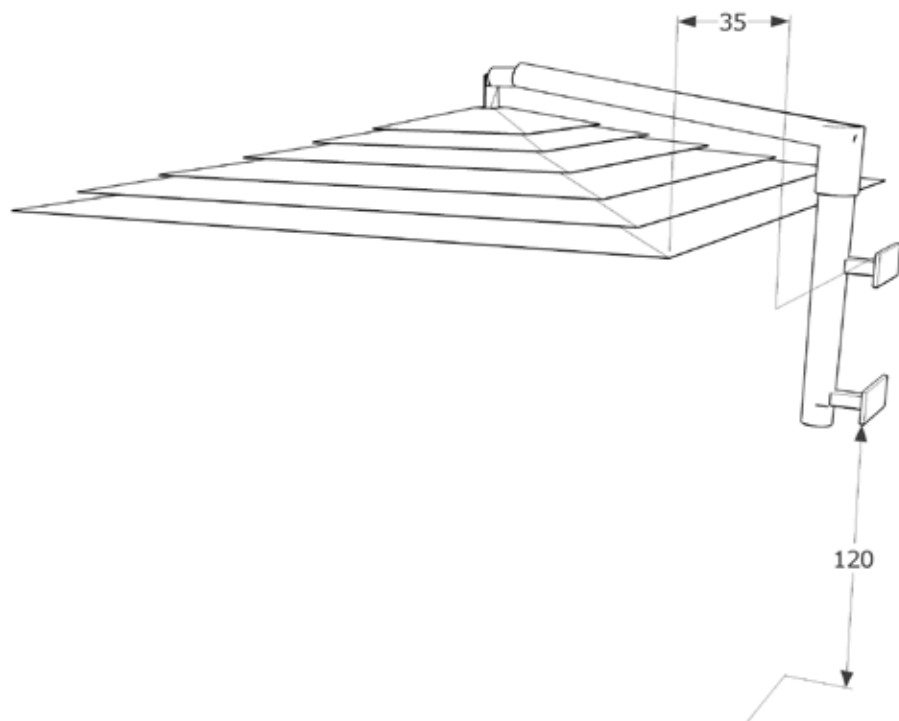


Price (Euro, no VAT)

Size (cm.)	Base (kg.)	Lifted Valve	Split Solution
<b>RECTANGULAR</b>			
200X300	160	1500,00	1875,00
250x350		1550,00	1937,00
300x400	240	1650,00	2062,00
350X450		1900,00	2375,00
<b>SQUARE</b>			
250X250	160	1500,00	1875,00
300x300		1550,00	1937,00
325X325		1600,00	2000,00
350x350	240	1650,00	2062,00
400x400		1850,00	2250,00
<b>ROUND</b>			
Ø300	160	1500,00	1875,00
Ø350		1600,00	2000,00
Ø400	260	1700,00	2125,00
Ø450		1850,00	2312,00

- Pressure treated iroko wood side post (mm 92x92).
- Canopy made of 100% acrylic (5 years guaranteed) or thermo sealed PVC .
- All steel components are zinc plated and powder coated with an epoxy resin and a charcoal finish.
- Windproof vent.
- Central Steel hub construction assembled with inox steel bolts.
- Choice of cement base with river pebble accents or a steel bracket that may be affixed to the ground.
- Choice of wooden or brown aluminium frame with interchangeable ribs.
- Awning crank for opening and closing manually .
- Internal cable assembly. (horizontal steel cotter pin) .
- Full valance .
- Storage cover .
- 360° rotation.

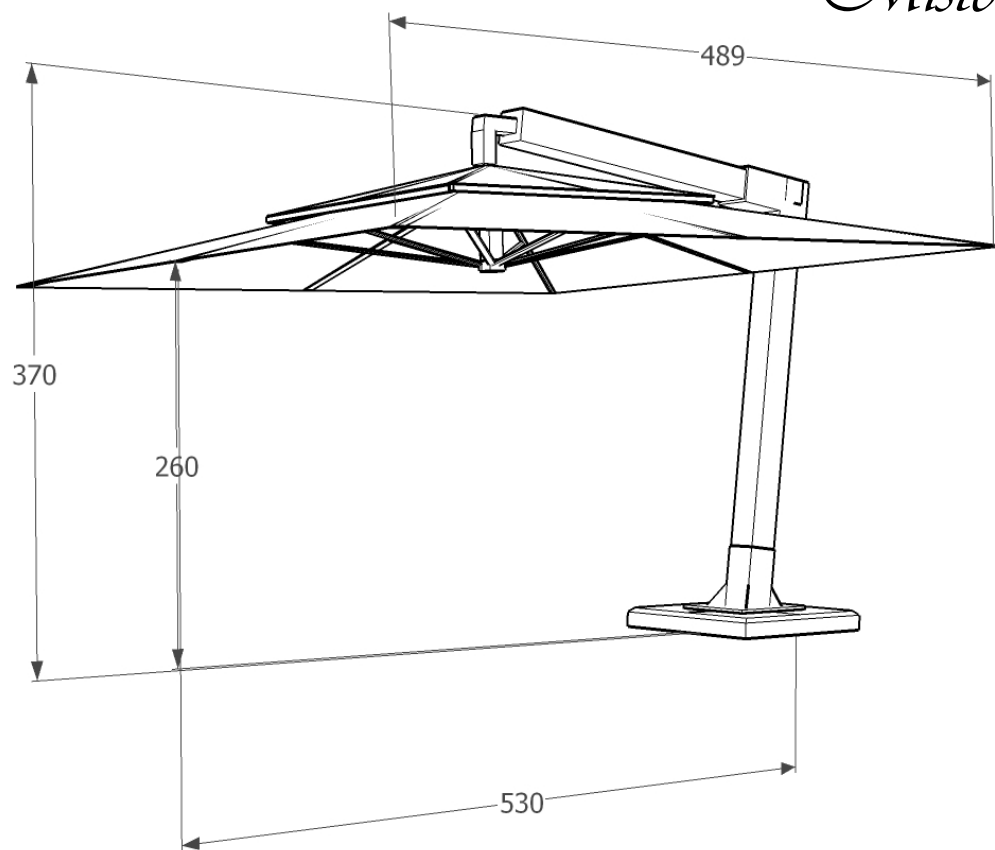
# Talento Steel cod.104



Size (cm.)	Base (kg.)	Price (Euro, no VAT)	
		Lifted Valve	Split Solution
<b>RECTANGULAR</b>			
200X300	160	1275,00	1593,00
250x350		1317,00	1646,00
300x400	240	1402,00	1752,00
350X450		1615,00	2018,00
<b>SQUARE</b>			
250X250	160	1275,00	1593,00
300x300		1317,00	1646,00
325X325		1360,00	1700,00
350x350	240	1402,00	1752,00
400x400		1530,00	1912,00
<b>ROUND</b>			
Ø300	160	1275,00	1593,00
Ø350		1360,00	1700,00
Ø400	260	1445,00	1806,00
Ø450		1572,00	1965,00

- Zinc plated and plastified steel side post (80mm).
- Canopy made of 100% acrylic (5 years guaranteed) or thermo sealed PVC .
- All steel components are of zinc plated powder coated with an epoxy resin and a charcoal finish.
- Windproof vent.
- Central Steel hub construction assembled with inox steel bolts.
- Choice of cement base with river pebble accents, a steel bracket that may be affixed to the ground, or a customized wall anchor.
- Choice of wooden or brown aluminium frame with interchangeable ribs.
- Awning crank for opening and closing manually .
- Full valance .
- Storage cover .

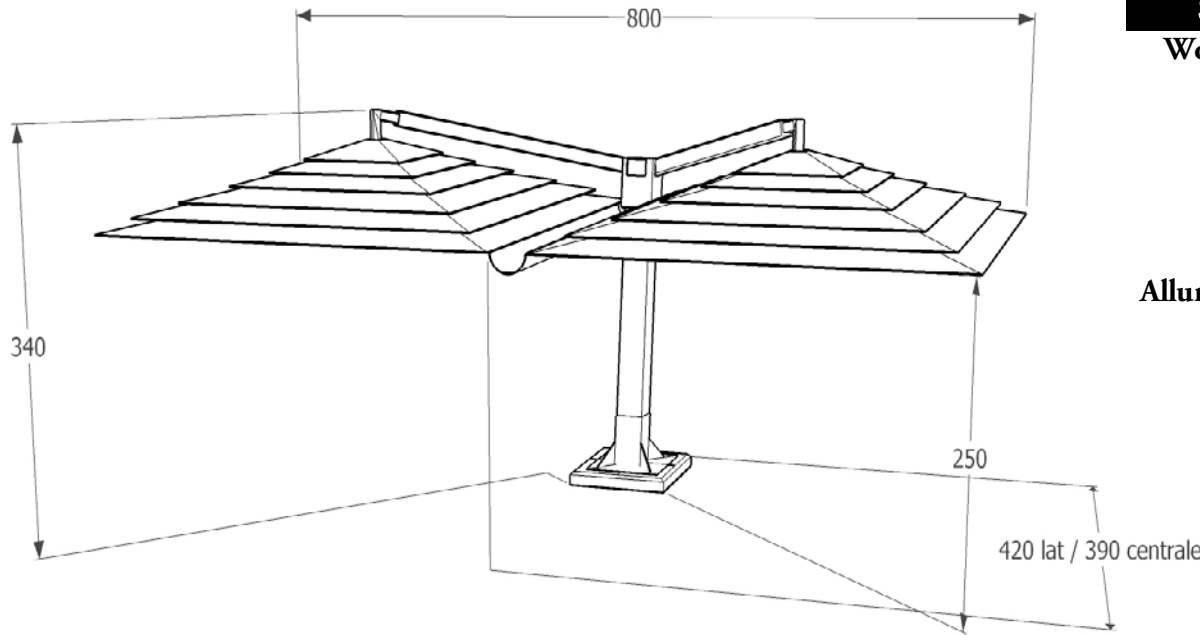
## Mister cod. 105



- Pressure treated iroko plywood Side post mm 142x142.
- Canopy made of 100% acrylic or thermo sealed PVC.
- All components are made of zinc plated steel, powder coated with an epoxy resin and a charcoal finish.
- Lifted windproof vent.
- Steel hub construction assembled with inox steel bolts.
- Choice of cement base with river pebble accents or a steel bracket that may be affixed to the ground.
- Choice of wooden or brown aluminium frame with interchangeable ribs
- Awning crank for opening and closing manually, with Internal cable assembly. (Horizontal steel cotter pin)
- Added valance
- Storage cover

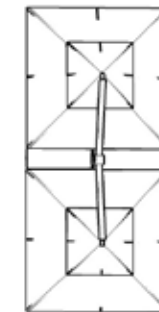
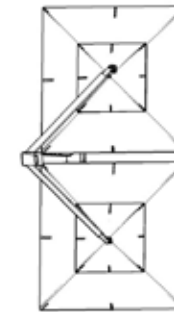
		Price (Euro, no VAT)	
Size (cm.)	Base (kg.)	Lifted Valve	Split Solution
<b>Wooden frame</b>			
400x400	240	2350,00	2937,00
<b>Alluminium frame</b>			
500x400		2400,00	3000,00
550x450		2500,00	3125,00
500x500	480	2500,00	3125,00
Ø500		2550,00	3187,00
Ø600		2750,00	3437,00

# Gemelli cod. 106-107



Size (cm.)	Base (kg.)	Price (Euro, no VAT)	
		Lifted Valve	Split Solution
<b>Wooden frame</b>			
250x500		2900,00	3770,00
300x600	240	3150,00	4095,00
325x650		3400,00	4420,00
350x700		3600,00	4680,00
400x800	480	3750,00	4875,00
<b>Alluminium frame</b>			
450x900	720	4500,00	5850,00
500x1000		5000,00	6500,00

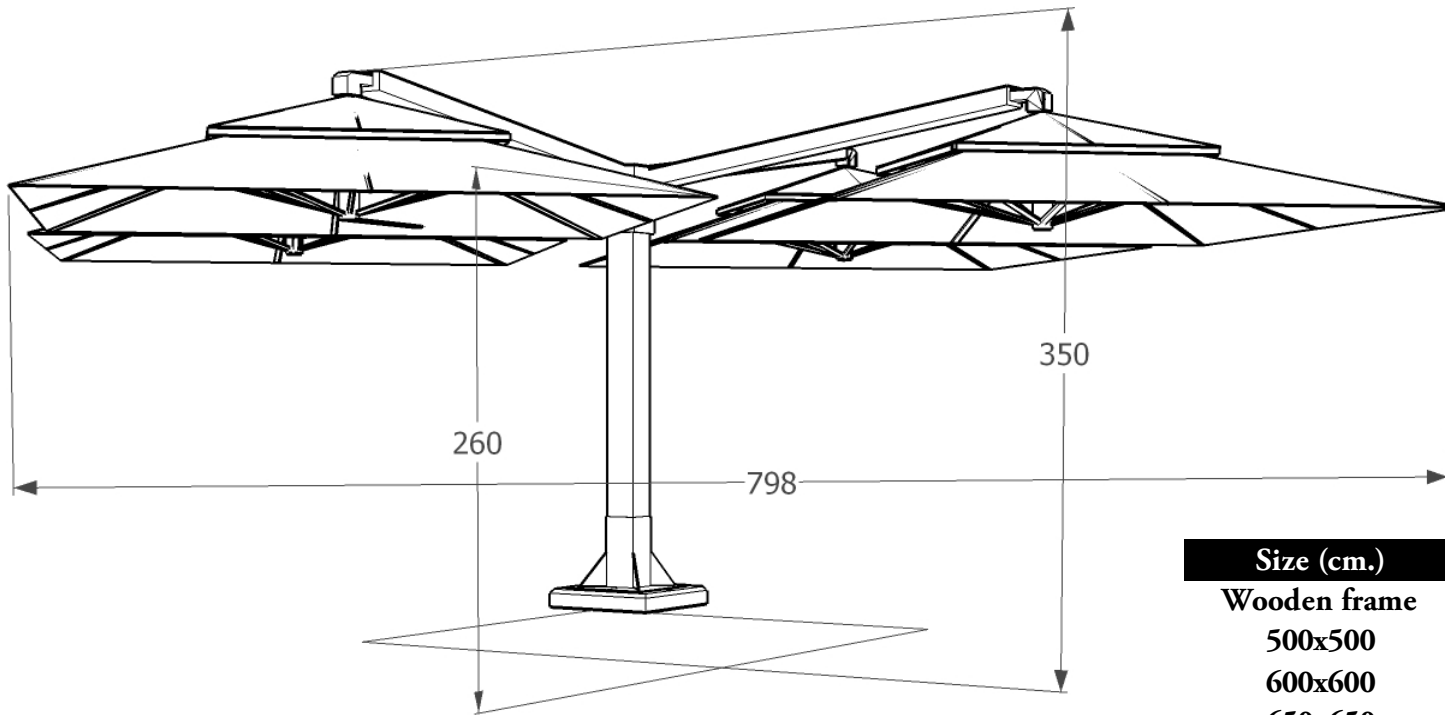
Cod. 106 side beam



Cod. 107 central beam

- Pressure treated iroko side or centre post mm 142x142.
- Canopy made of 100% acrylic 320gr/sqm or thermo sealed PVC 550gr/sqm.
- All components are made of zinc plated steel, powder coated with an epoxy resin and a charcoal finish.
- Lifted windproof vents.
- Steel hub construction made with bolts, not wire.
- Choice of cement base with river pebble accents, or a steel bracket that may be affixed to the ground.
- Choice of wooden or brown aluminium frame with interchangeable ribs.
- Connecting rain gutters.
- Awning crank for opening and closing manually.
- Added valance
- Storage cover

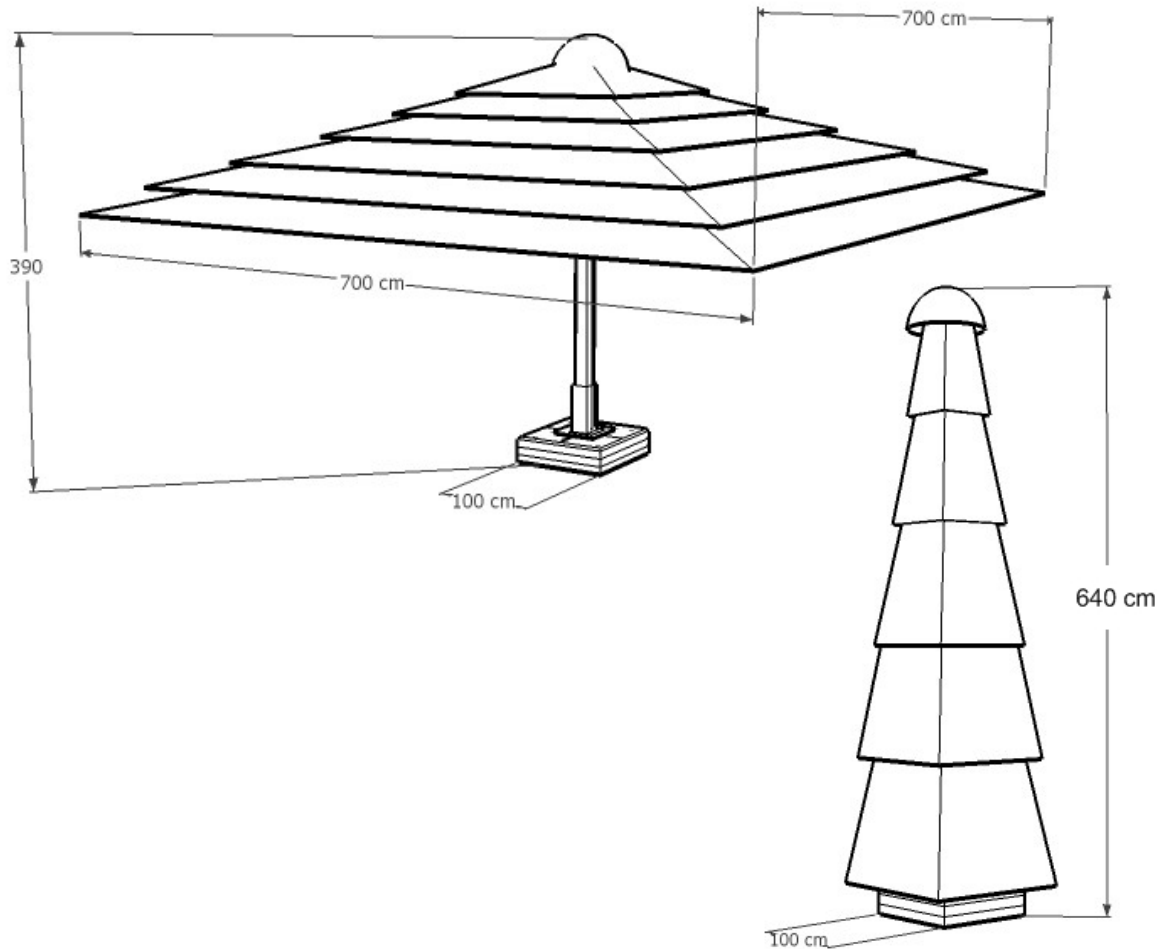
# Collage cod. 108



- Pressure treated iroko wood centre post mm 142x142.
- Canopy made of 100% acrylic or thermo sealed PVC.
- All components are made of zinc plated steel, powder coated with an epoxy resin and a charcoal finish.
- Windproof vents.
- Steel hub construction assembled with inox steel bolts.
- Choice of cement base with river pebble accents, or a steel bracket that may be affixed to the ground.
- Choice of wooden or brown aluminium frame with interchangeable ribs
- Connecting rain gutters
- Awning crank for opening and closing manually, internal cable assembly. (Horizontal steel cotter pin)
- Full valance
- Storage cover

Size (cm.)	Base (kg.)	Price (Euro, no VAT)	
		Lifted Valve	Split Solution
<b>Wooden frame</b>			
500x500		4100,00	5330,00
600x600	240	4350,00	5655,00
650x650		5000,00	6500,00
700x700	480	5400,00	7020,00
800x800		5780,00	7514,00
<b>Aluminium frame</b>			
900x900	720	6830,00	8879,00
1000x1000		7750,00	10075,00

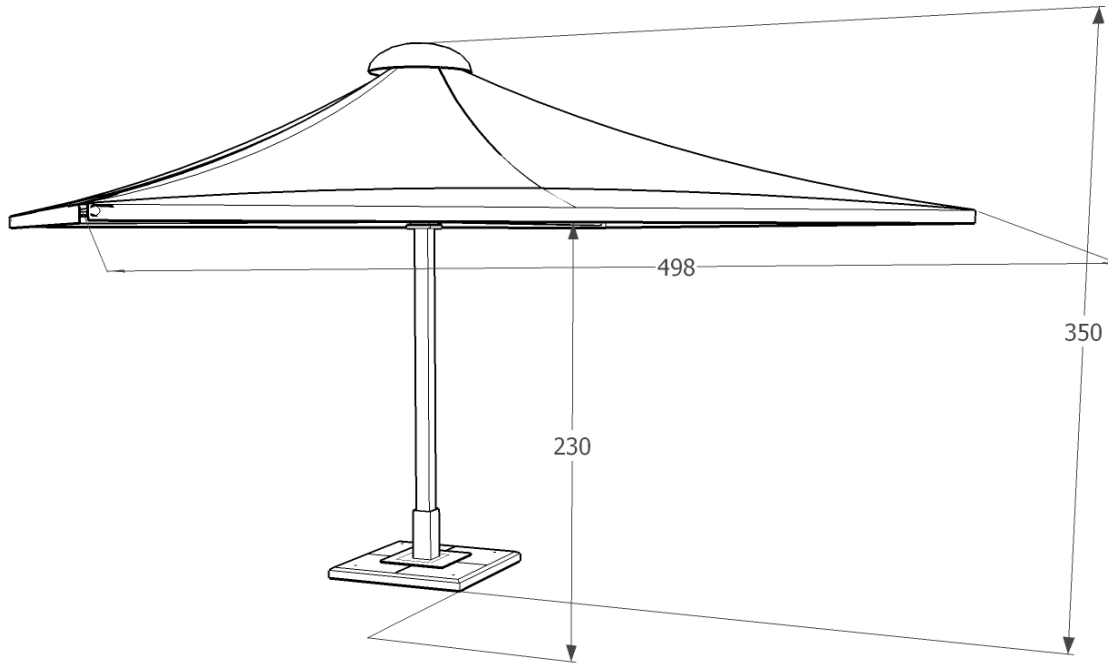
# Big friend cod. 109



Size (cm.)	Base (kg.)	Price (Euro, no VAT)	
		Lifted Valve	Split Solution
<b>RECTANGULAR</b>			
450x550	240	3320,00	4150,00
500x600		3600,00	4500,00
550x650	480	3840,00	4800,00
600x700	720	4200,00	5250,00
<b>SQUARE</b>			
500x500	240	3440,00	4300,00
550x550		3600,00	4500,00
600x600	480	3840,00	4800,00
650x650		4240,00	5300,00
700x700	720	4860,00	6075,00
<b>ROUND</b>			
Ø550	240	3360,00	4200,00
Ø600		3760,00	4700,00
Ø650	480	3880,00	4850,00
Ø700		4000,00	5000,00
Ø750		4400,00	5500,00
Ø800	720	5000,00	6250,00

- Telescopic aluminium centre post mm.130, powder coated with an epoxy resin.
- Canopy made of 100% acrylic 350gr/sqm, thermo sealed PVC 550gr/sqm, or Micro-Aired Soltis.
- Structural grade aluminium frame with interchangeable ribs.
- Steel hub construction made with bolts, not wire.
- Choice of cement base with river pebble accents, a finely polished concrete base, or a steel bracket that may be affixed to the ground.
- Winch for manual opening and closing.
- Hemmed valance

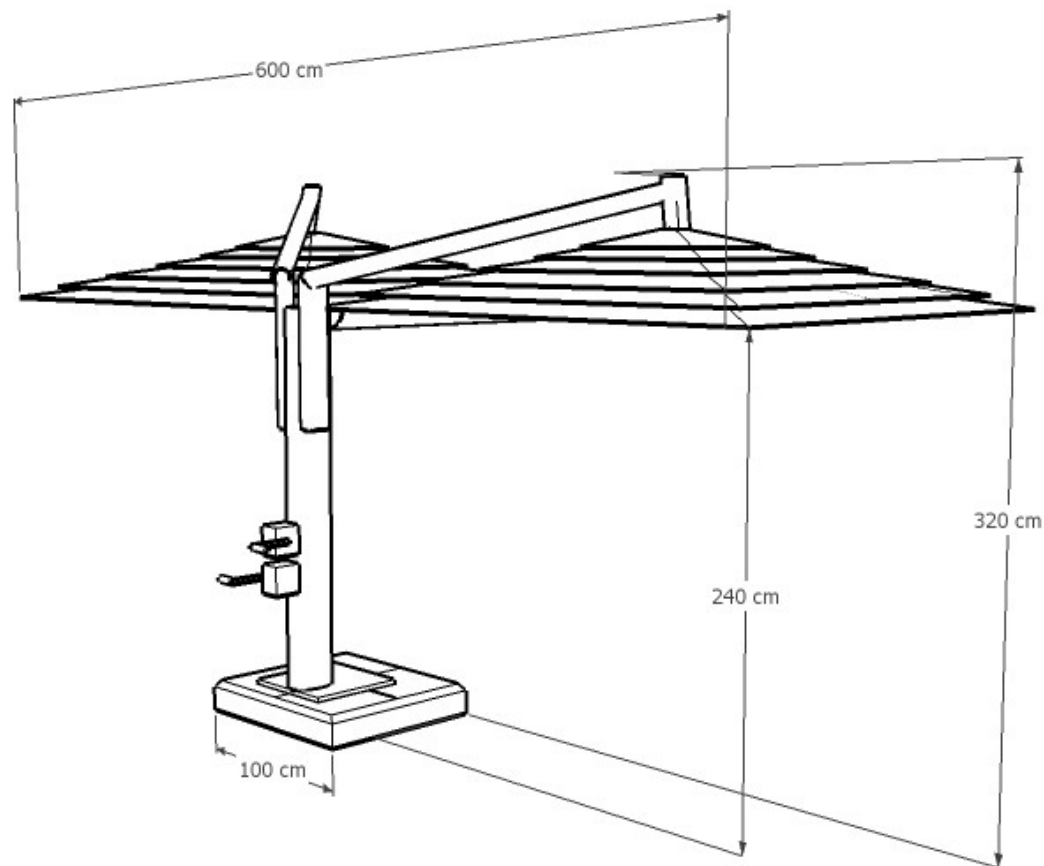
## *Kite cod. 110*



Size (cm.)	Base (kg.)	Price (Euro, no VAT)
300x300		2600,00
350x350	240	2800,00
400x400		3050,00
450x450		3650,00
500x500	480	4000,00
600x600		4600,00

- Thermo sealed PVC high tension canopy, with steel tie downs around the perimeter.
- Centre post and all components are made of zinc plated steel, powder coated with an epoxy resin and a charcoal finish.
- Choice of rounded cement base with river pebble accents, a finely polished concrete base, or a steel bracket that may be affixed to the ground.
- Hand crank for opening and closing manually.
- Wind vent valance.
- Storage cover.

# Gemelli Steel cod. 110



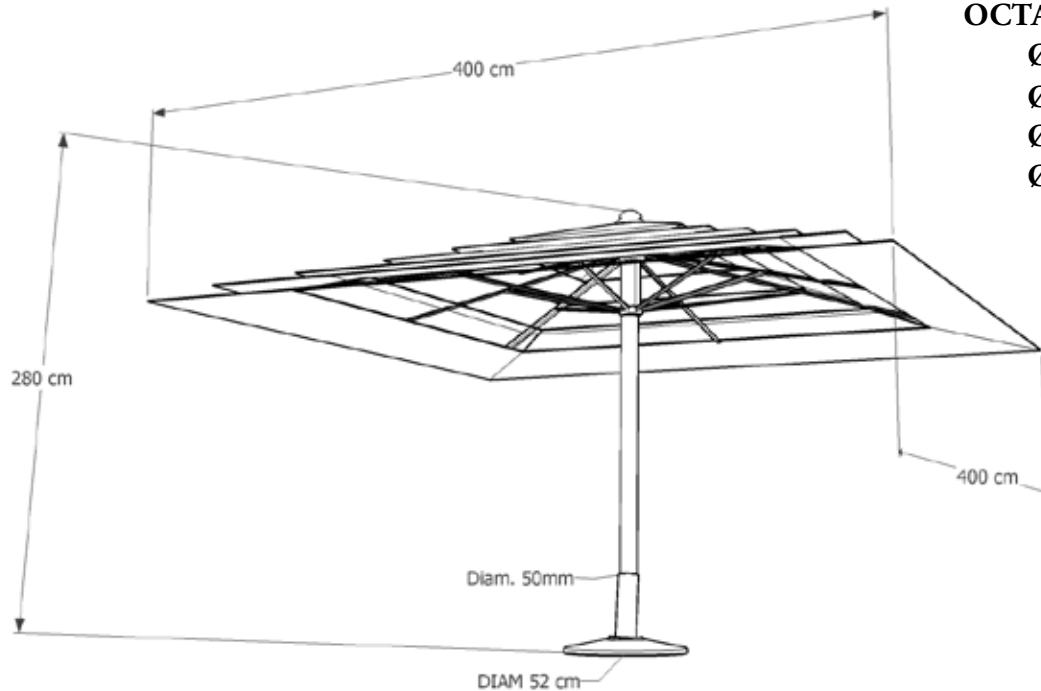
- 130mm round steel centre post.
- Canopy made of 100% acrylic 320gr/sqm or thermo sealed PVC 550gr/sqm.
- All components are made of zinc plated steel, powder coated with an epoxy resin and a charcoal finish.
- Lifted windproof vents.
- Steel hub construction made with bolts, not wire.
- Choice of rounded cement base with river pebble accents, a finely polished concrete base, or a steel bracket that may be affixed to the ground.
- Choice of wooden or brown aluminium frame with interchangeable ribs.
- Connecting rain gutters.
- Awning crank for opening and closing manually
- Storage cover

Price (Euro, no VAT)

Size (cm.)	Base (kg.)	Lifted Valve	Split Solution
<b>Wooden frame</b>			
250x500		2900,00	3770,00
300x600	240	3150,00	4095,00
325x650		3400,00	4420,00
350x700		3600,00	4680,00
2xØ200	160	2650,00	3445,00
2xØ250		2750,00	3575,00
2xØ300	240	2900,00	3770,00
2xØ350		3100,00	4030,00

# Fiesole cod. 111

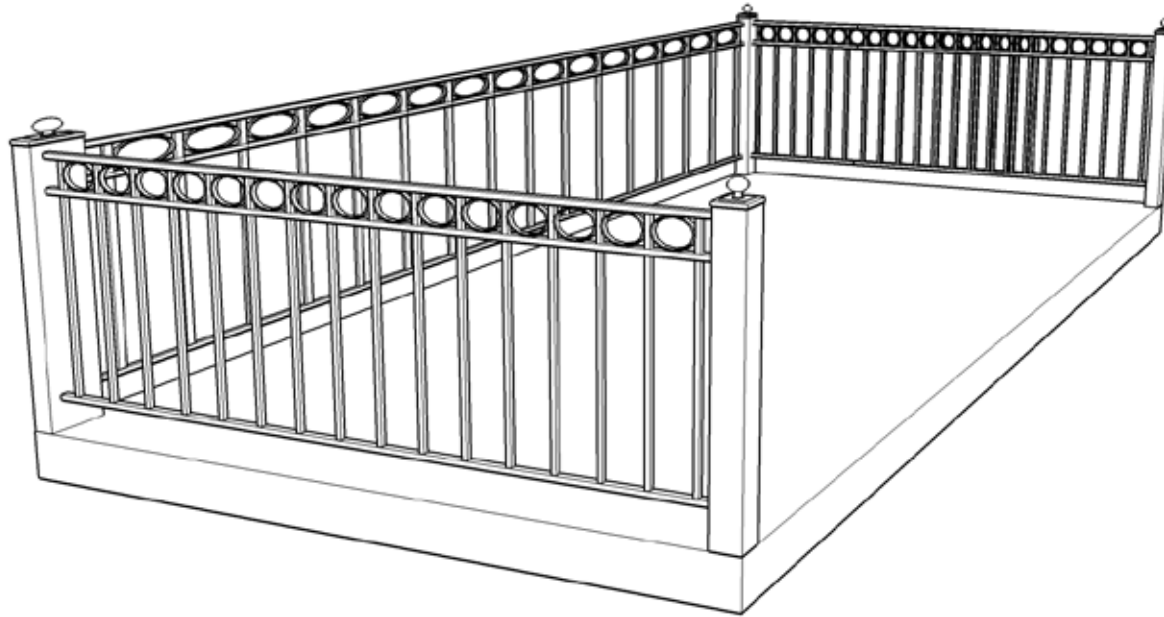
- Pressure treated iroko wood post Ø 50-60 mm.
- Wooden or aluminium frame.
- Canopy made of 100% acrylic fabric, thermo sealed PVC or AIR SOLTIS.
- Windproof vents.
- Hand crank for opening and closing manually on request.
- Full valance
- Choice of rounded cement base with river pebble accents or a finely polished concrete base.



Price (Euro, no VAT)

Size (cm.)	Base (kg.)	Simple Valve	Lifted valve	Split Solution
<b>RECTAGULAR</b>				
200X300		900,00	990,00	1125,00
250x350	52	950,00	1045,00	1187,00
300x400		1100,00	1210,00	1375,00
350X450	160	1200,00	1320,00	1500,00
400x500		1250,00	1375,00	1562,00
<b>SQUARE</b>				
300x300		1100,00	1210,00	1375,00
350x350	52	1250,00	1375,00	1562,00
400x400		1250,00	1375,00	1562,00
450x450	160	1350,00	1485,00	1687,00
500x500		1450,00	1595,00	1812,00
<b>OCTAGONAL</b>				
Ø300		900,00	990,00	1125,00
Ø350	52	950,00	1045,00	1187,00
Ø400		1100,00	1210,00	1375,00
Ø450	160	1350,00	1485,00	1687,00

# Lusso Platform cod. 201



Size (SQM)	Price (Euro, no VAT)
0-20	200,00
20-40	190,00
40-70	180,00
>70	170,00

- Modular 40x40mm zinc plated and plastified steel frame.
- Adjustable ground brackets
- Cover in alluminium or iroko wood
- Steel fence made on request

Size (cm)	Price (Euro, no VAT)	
	Lifted/Simple Valve	Split Solution
250x250	420,00	525,00
300x300	500,00	625,00
325x325	540,00	675,00
350x350	560,00	700,00
400x400	640,00	800,00
500x500	740,00	925,00
550x550	940,00	1175,00
600x600	1060,00	1325,00
650x650	1280,00	1600,00
700x700	1340,00	1675,00
250x350	500,00	625,00
300x400	560,00	700,00
350x450	640,00	800,00
450x550	820,00	1025,00
500x600	940,00	1175,00
550x650	1040,00	1300,00
600x700	1180,00	1475,00
Ø300	440,00	550,00
Ø350	500,00	625,00
Ø400	560,00	700,00
Ø450	640,00	800,00
Ø500	700,00	875,00
Ø550	800,00	1000,00
Ø600	900,00	1125,00
Ø650	1000,00	1250,00
Ø700	1120,00	1400,00
125x250	330,00	412,50
150x300	380,00	475,00
125x350	380,00	475,00
150x400	420,00	525,00
200x300	420,00	525,00
225x350	420,00	525,00
175x450	480,00	600,00
175x350	380,00	475,00
200x400	480,00	600,00
250x400	540,00	675,00
200x500	560,00	700,00
250x500	640,00	800,00

## Listino Teli

Velcro apply	€ 5,00/ml
Rain gutters (30 cm large)	€ 15,00/ml
Storage cover (70 cm large)	€ 15,00/ml
Canopy assembling/disassembling	
Lifted/Simple valve	€ 90,00
Split Solution	€ 240,00
Canopy cleaning	€ 100,00
Side shades in PVC/Cristal/Acrylic	€ 50,00/sqm
Rails for side shades	€ 30,00 /ml
Umbrella repairs	on demand.

## Accessories

	Prezzo (€ IVA Esclusa)
Base (100 x 100 x 12 cm) 240 kg	180,00
Base (80 x 80 x 10 cm) 160 kg	130,00
Base (diam. 60 x 8 cm) 52 kg	100,00
Bracket to be grounded	
small	160,00
large	240,00
Halogen lamp 150W, IP65 protection	120,00
Remote control, per canopy	890,00
Winch for opening/closing	80,00
3 foot steel base	200,00
Large steel base for Fiesole	160,00

Eden Garden srl

www.EdenGardensrl.com

## Condizioni Generali di Vendita

1. Il presente Listino è riferito alla compravendita di cose mobili prodotte in serie. La vendita è convenuta ns. “franco magazzino” di Firenze, quindi non comprende né il trasporto né l’installazione delle merci. I manufatti della ditta EdenGarden srl vengono progettati e costruiti per proteggere dal sole, (o dalla pioggia se confezionati con PVC termosaldato). In caso di vento devono essere sempre chiusi ed il laccio di serie deve avvolgere ben stretta la capote chiusa ( vedi INDICAZIONI D’USO). Nel caso che il vento sia particolarmente intenso le capote devono essere staccate dal proprio sostegno al fine di evitare il ribaltamento dell’ombrellone. La EdenGarden srl non si assume nessuna responsabilità qualora, a causa di un uso improprio, di errata installazione, della non osservanza di queste condizioni si provochino danni a cose, a persone, o agli stessi ombrelloni.
2. Trascorsi 8 giorni dal ricevimento della merce non si accettano reclami e non si riconoscono eventuali danni. Eventuali difetti della merce fatti valere entro 8 giorni dal ricevimento obbligano la EdenGarden alla sola sostituzione alle medesime condizioni di contratto.
3. La EdenGarden srl è esonerata da ogni responsabilità per l’uso e l’installazione che viene fatto dei materiali venduti avente riguardo anche alle vigenti normative urbanistiche, statiche, di sicurezza in funzione dei luoghi di installazione anche nel caso in cui, su esplicita richiesta dell’acquirente, la venditrice fornisca nominativi di persone o imprese esterne abilitate ad eseguire tali installazioni.
4. Decorso il termine di pagamento indicato nella fattura, qualora l’acquirente non provveda al pagamento ed al ritiro della merce, la venditrice avrà diritto di procedere, ai sensi di legge, per la esecuzione o la risoluzione del contratto, fatto salvo il risarcimento per il maggiore danno.
5. All’atto della sottoscrizione del contratto, l’acquirente è tenuto a corrispondere ad EdenGarden srl, una caparra non inferiore al 30% del prezzo della merce acquistata. In ogni caso EdenGarden srl si riserva la proprietà della merce venduta, ai sensi e per gli effetti di cui all’art. 1523 ss cod. civ. (patto di riservato dominio), fino all’integrale pagamento del prezzo; il cliente è costituito custode della merce ai sensi degli art. 1768 e 1770 cod. civ.
6. EdenGarden srl si riserva il diritto di modificare i propri prodotti allo scopo di migliorarli, senza nessun obbligo di preavviso.
7. Le misure e le altezze degli ombrelloni riportate sul listino, su cataloghi o riviste pubblicitarie, sul sito web, sono indicative e non corrispondono esattamente alla misura reale degli ombrelli. Per avere i dati esatti dell’articolo che interessa, richiedere al momento dell’ordine la sua scheda tecnica.
8. Il legno massello per sua natura può, col variare delle condizioni atmosferiche, presentare alcune piccole fessure. Tali caratteristiche non compromettono in alcun modo la stabilità dei nostri prodotti, pertanto non verrà riconosciuto alcun reclamo al riguardo.
9. I prezzi indicati non sono comprensivi né di IVA 20% né di imballo.
10. Tutte le comunicazioni al cliente si intendono validamente effettuate nel domicilio elettivo indicato nel frontespizio.
11. Per ogni controversia il foro competente è quello dove ha la sede legale la ditta EdenGarden srl.
12. Qualunque ordinazione conferita alla EdenGarden implica l’accettazione delle condizioni generali di vendita.

**EdenGarden srl**  
**Via Carlo Lorenzini 2/a**  
**50127 Firenze**  
**Tel 0039/055/4564845**  
**Fax 0039/055/4565952**  
**e-mail : [info@edengardensrl.com](mailto:info@edengardensrl.com)**  
**web : [EdenGardensrl.com](http://EdenGardensrl.com)**